



DREAM LIGHT Workshop

User Manual

A large blue rectangular graphic with rounded corners, featuring two white curved lines that intersect in the center. To its right is a smaller, solid blue rounded rectangle.

DLW 400 BEAM

Guangzhou Dream Lighting Equipment Co., LTD

Contents

Safety Information	3/4
Package & Transportation	5
Fixture Package	5
Transport protection lock	5
Unpacking	5
Accessories with fixture	5
Product Introduction Specification	6
Elrctrical parameters	6
Light Source parameters	6
Optics parameters.....	6
Effect Equipment	6
Fixture movement parameter.....	6
Electronic Control Technology.....	6
Color System.....	7
Gobo System.....	7
size& Weight.....	8
Operation Panel	8
Operation Panel Instructions	8
Detailed Operation Table of Display panel.....	9/10
Signal Connection	11
Power Connection	12
Connection type	12
Installation specification	12
Attention for Installation.....	12

Installation Instruction & Requiremen	13
G-clamp Instalaation	13
Fixture Installation.	13
Fixture Placement.	14
Lamp Installation	15
Replace the lamp	15
DMX Channel Sheet (Brief)	16
DMX Specific Channel Sheet	17/18
Maintenance & cleaning of the fixture	19/20
Attachment 1: Angle range and the measurement figure of the fixture	20/21
Attachment 2 :Electrical Diagram.	22

Safety Information






Note: Please check the complete package after received , and please unpack and check if the fixture is damaged during shipping. If the fixture is damaged during shipping, please do not use it and contact the manufacturer/local technicians as soon as possible.

The following identifications are used to identify the product and identify the important safety information in the user manual.

Caution!	Indoor used only!	Refer to the manual before installation/ power on/ maintenance	Caution Eelectric shock hazard!	Properly grounded	Caution wear goggles!	Caution! High surface temperature Don't touch!	Caution! Must wear gloves!
Caution Prevent fire!	Do not stare at the operating light source	Do not interfere with the track of the operating fixture	Minimum distance of illuminated objects(m)	Rated maximum ambient temperature!	Don't install the fixture on the surfact of combustible materials!	Replace any cracked protective shields	

Notes:

- The fixture is used professionally only, please don't used it for any other purposes.
- Please refer to the latest user manual before using the fixture. The fixture is out of warranty if problems are caused by any incorrect use or negligence of the user manual.
- The fixture is used indoor only; the protection level rate is IP20. Please keep the fixture dry and avoid to use the fixture under the environment of damp, overheating or dusty. Please keep the fixture away from water or any other liquids.
- In order to avoid damage the fixture, it is required more than 1 person when moving the fixture. When hanging the fixture, the hanging device must be tested. The hanging device should be able to bear more than 10 times of weight of the fixture. Please make sure the housing and G-clamp are fixed and do not have damage after installed. Please use the safety chain to keep the fixture fixed on the truss safely.
- The fixture should be installed in a well-ventilated place. Keep the distance of the fixture and the obstacles more than 0.5 meter, and please check the fans and ventilation hole sare not blocked.

- Please don't install the fixture on the surfaces of the inflammable goods directly. ()
- Please check the voltage before the professional technicians install the fixture.
The voltage must be the same with the voltage which marked on the fixture.
Overloading protection or leakage protection are also required.
- Before power on the fixture, please check whether the fuse meets the technical requirements.
Please don't replace the fuse without professional instructions and short circuit it when the fixture is powered on. And then confirm whether the input
- voltage meets the technical requirements and the ground wire is properly connected.
- Please cut off the power supply when replacing the fuse. ()
- Rated maximum ambient temperature when the fixture is working: $t_a = 40^{\circ}\text{C}$.
- The safe/shortest distance to the illuminate object: 15m.
- when the fixture working stably, the maximum surface temperature: $t_c = 100^{\circ}\text{C}$.
- The shortest safety distance to combustible material: 0.5m.
- Please don't touch the fixture when it is working stably. It's highest surface temperature can reach 90°C .
- The distance should be longer than 3.5 m when the installation location of the fixture is designed to be stared for a long time.
- Please pay attention to severe or hazard damage caused by the shock from fire or heat, the UV violation, lamp explored or falling down.
- Please don't look at the lighting fixture without any eye protection.
- Please don't power off the lamp or cut off the power supply when it is working in 5mins, because of the special necessary of Metal halide discharge bubbles. Please reset it or move it or open it after power off for 15mins or cooling completely.
- Please don't stare at the working fixture directly without any eye protection.
- Please replace the protective cover and lens if any visible damage happened or the damage has reached the malfunction level. ()
- The fixture must be installed, operated, and maintained by professionals strictly according to the user manual.
- All the information of the user manual is for your reference only. All fixtures should be subject to the actual product, which is subject to change without prior notice.

Package & Transportation

Fixture package

- Please cut off the power supply and cool it down for over 15 minutes before packing the fixture.
- Lock the protection lock well with Pan=0°, Tilt=90°.
- Please place the fixture in the plastic bag, and then carefully put it into the flight case vertically, the accessories are placed at special area in flight case, then close the lid and lock the flight case. Please don't put it upside down.

Transport protection lock

- Protective locks for pan and tilt movement are installed in the fixture for safe transportation.

Unpacking

- Open the packing box, and then open the inner packing bag.
- Grasp the handle of the fixture, take it out from the case carefully.
- Unlock the protective lock before power on the fixture.

Notice: Please check the complete package after received the fixture, please check whether the fixture is damaged or not during shipping after opened the packing. If the fixture is damaged during shipping, please don't use it first, and contact the manufacture/local technicians as soon as possible.

Accessories with fixture

Accessories	Qty
User Manual	1
Warranty Card	1
Signal Cable	1

Product Introduction Specification

Electrical parameters

AC 200 - 240V 50 / 60 Hz

Rated Input Power:520W rated electrical current:2.6A,PF≥0.98

Light Source parameters

- Light source:PHILIPS MSD Silver 380W LL

Optics parameters

- Lens:High-definition lens with anti-reflective film.
- Zoom range:2°.

Effect Equipment

- frost effect+seven-color Wheel.
- Mechanical linear dimming 0–100%.
- Fast strobe, multiple options for strobe options: pulse, asynchronous, synchronous, random slow, medium, fast speed
- One 8-facet prism, one 3-phase 16-facet prism, rotate in both directions, overlayable.

Fixture movement parameter

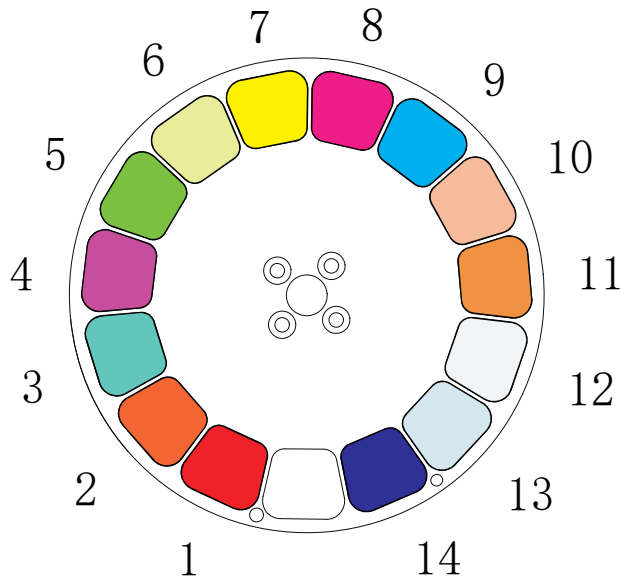
- PAN=540°, 16bit precision adjustment.
- TILT=270°, 16bit precision adjustment.

Electronic Control Technology

- Channel:18Ch/24Ch/16Ch.
- Control protocol: standard DMX512 protocol, Art-net protocol and wireless DMX512 control (optional).
- Power auto-reduction when the light closed,energy conservation, environmental protection.
- Fan intelligent control.
- Electronic sensors testing.
- RDM data bidirectional transmission
- Menu display: 1.77inch color LCD touch screen,English and Chinese available, the screen display can be overturned 180°, non-touch rolling wheel operation method.

Color System

● One static color wheel, 14 color filters + open, color rainbow rotate in both directions, stepping, sliding gradient, random color mode.(Pic1)



1. Red
2. Deep yellow
3. Blueish-yellow
4. Purple-red
5. Green
6. Yellowish-green
7. Light-yellow
8. Fuchsia
9. Blue
10. Brown-yellow
11. Cool
12. Light blueish-purple
13. Fluorescent

Pic1

Gobo System

● One Static gobo wheel, 17 gobos+open, water flow, shake (Pic 2)

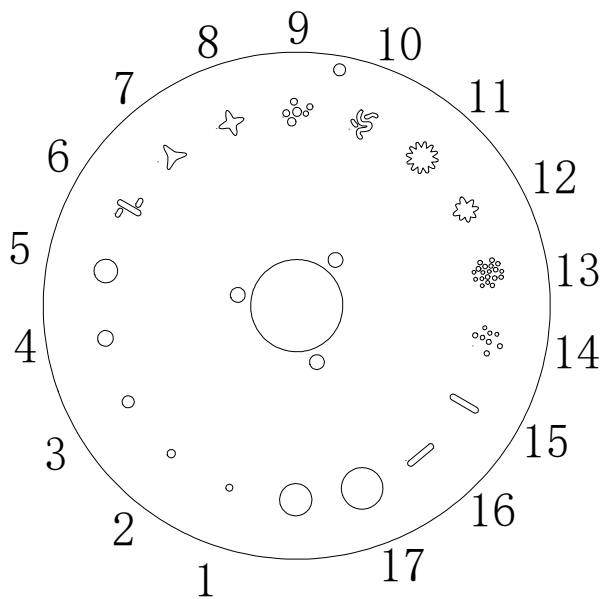
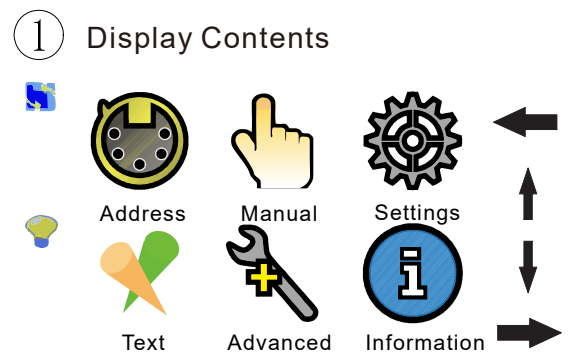
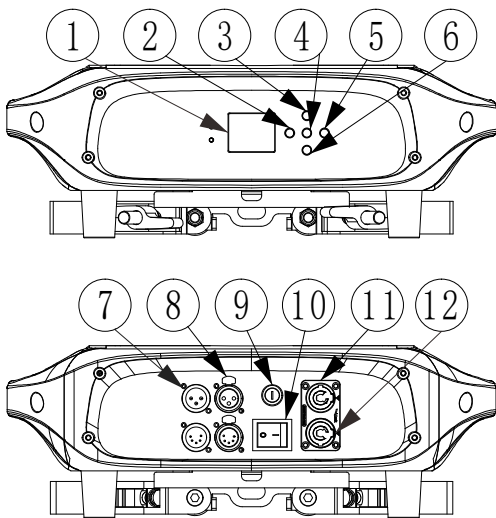


图2

Size & Weight

- Fixture size: 389X337X589mm)
- Packing size: 960x525x740 (mm) (1 flight case 2)
- Net weight of the fixture:18 kg
- Net weight of the Flight case:38kg
- IP Rate: IP20

Operation Panel



Pic4

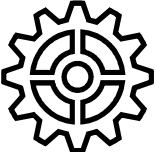



As shown in pic 3:



- | | | | | |
|----------------|-----------------|--------------|----------------|-----------|
| 1.LCD display | 2.Menu(Return) | 3.Up | 4.Display flip | 5. Enter |
| 6.Down | 7.DMX input | 8.DMX output | 9.Fuse box | 10.Switch |
| 11.Power input | 12.Power output | | | |

Operation Panel Instructions

- Up Direction key:Select Sub-menu cyclically(upward).Circulate downward to adjust data value.
- Down Direction key: Select Sub-menu cyclically (downward). Circulate downward to adjust data value.
- Left Direction key(Back):Back to menu.
- Right Direction key(Confirm):Confirm the selected data value o rselect cyclical data window.
- Switch: showing " o" means power off, showing "-" means power on.

Detailed Operation Table of Display panel

Settings 	1.Language	Chinese , English	
	2.Screen Rot	Revere , Foward	
	3.DMX Indicate	Mode 1	
		Mode 2	
		Mode 3	
	4.Screen Light	000-010	
	Exit		
Manual 	1.Lamp Switch	Off , On	
	2.Lamp When	Power On	
		Manual	
		Rest Done	
	3.Rest		
	4.Fan Mode	Auto , Normal , Mute	
	5.Manual Test	01.Pan	000-255
		02.Pan Fine	000-255
		03.Tilt	000-255
		04. Tilt Fine	000-255
		05.Strobe	000-255
		06.Dimmer	000-255
		07.Dimmer Fine	000-255
		08.Focus	000-255
		09.Color Wheel	000-255
		10.Fixed Gobo	000-255
		11.Prism2	000-255
		12.Prism1	000-255
		13.Prism.R	000-255
		14. seven-color	000-255
	15.Macro	000-255	
	16.Frost	000-255	
	17.Reset		
	18.Fixture control		
6.Exit			
Address 	1.Address	000-255	
	2.Channel Mode	18CH/24CH /16CH	
	3.Signal Mode	DMX	
		Auto	
		Sound	
		Scene	
4. Scene Select	Auto ,Mode1...Mode10		
5. M/S Choose	Slave , Master , Auto		
6.Exit			
Information 	1.Stepper Info	Pan	XX
		Tilt	XX
		Fixed Gobo1	XX
		Gobo rotation	XX
		Color	XX
		Prism1	XX
		Prism2	XX
		Prism1.R	XX
		Prism2. R	XX
		Focus1	XX
		Frost	XX

		Dimmer	XX
	2. Channel Info	01.Pan	XXX
		02.Pan Fine	XXX
		03.Tilt	XXX
		04.Tilt Fine	XXX
		05.Strobe	XXX
		06.Dimmer	XXX
		07.Focus	XXX
		08.Zoom	XXX
		09.Color	XXX
		10.Fixed Gobo1	XXX
		11.Gobo rotation	XXX
		12.Gobo	XXX
		13.Prism1	XXX
		14.Prism. R	XXX
		15.Frost	XXX
		16.Rest	XXX
	3. Fixture Status	1. Communication	XX%
		2. Error Cnt	XX
		3. Light Temp	XX°C
		4. Panel Temp	XX°C
		5. Sensor1 Temp	XX°C
		6. Sensor2 Temp	XX°C
	4. Version	XXXXXXXXXX	
	5. Light Time	XX:XX	
	6. Total Time	XX:XX	
	Exit		
<p>Advanced</p> 	1. Pan Invert	Off , On	
	2. Tilt Invert	Off , On	XXXX
	3. P/T Rectify	Off , On	XXXX
	4. Pan Offset	XXX	XXXX
	5. Tilt Offset	XXX	XXXX
	6. Data Hold	XXX	
	7. Fine tune	XXXX	XXXX
	8. Factory Setting	Cancel , Perform	
	Exit		
<p>Text</p> 	1. Scene Select	XXX	
	2. Scene Time	X. XXs	
	Exit		

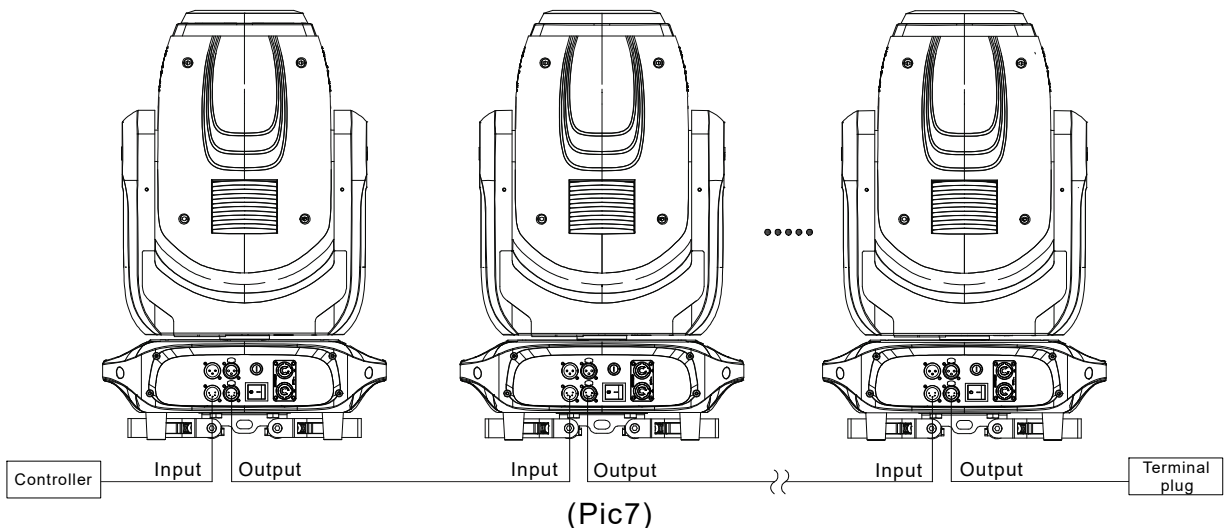
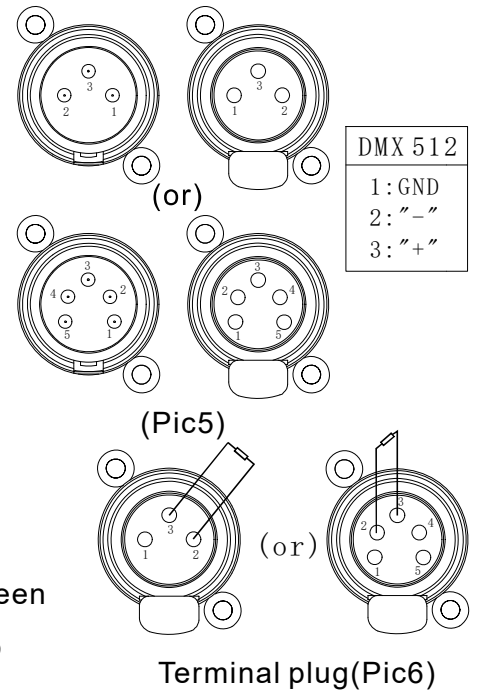
Signal connection

The fixture adopts 3pin/5pin socket to control DMX input and output, Pin1 is connected to grounded, Pin2 is connected to"-", Pin3 is connected to"+"(Pic5).

Please adopt professional DMX512 STP signal cable, usually its effective range is within 150m. When long distance signal transmission is required, please add DMX 512 signal amplifier.

To avoid the signal reflection during the transmission, please add a terminal which is 120Ω 1/4W resistance between DMX output pin2 and pin 3 of the last fixture. Plug the pin to the DMX output connector of the last fixture. (Pic6)

Connect the fixture from the DMX output of controller to DMX input of the first fixture, and then connect the first fixture's DMX output to the second fixture's DMX input and so on, until all fixtures are being connected. Then please install a terminal plug in DMX output of the last fixture. (Pic 6) The method of connection as show bellow. (Pic7)



- Notice:
- Don't use multi- output connector for connecting separately, It must connect the branch with DMX512 signal amplifier to separate them if it is required.
 - Standard amplifier cable is not reliable for long-distance data transmission; Please adopt professional DMX 512 STP signal cable.
 - The signal of the fixture only has one input and one output. Two input/output for each fixture are not available.

Power connection

Input voltage and frequency must be identical to the voltage and frequency marked on the fixture. When many fixtures are working at the same time, it is strongly recommended to control each fixture on/off individually.

Connection type

L(Live line)Brown wire

N(Null line)Blue wire


E(Earth line)Yellow and green wire

Notice:

- When connect power supply, please make sure the E line (yellow &green.) is properly connected. And it is corresponded with the relative electrical installation standards.
- Insulation class between LV power supply and controlling conductor: I
- Please confirm the voltage of the power supply is corresponded to the voltage on the fixture's identifications before professionals install it. Please also make sure it has overload or leakage protection.
- If the external cable is damaged, don't change it by yourself, please contact the manufacture/local as soon as possible.
- Lighting fixture connection not surpass 3 units.

Installation specification

Attention for Installation

● To prevent the dirt and oil leave on the lamp, please do not touch the lamp with bare hands when you replace the lamp. Keep the lamp clean. You can use the cleansing towel that come in with the lamp to clean the lamp. ()

● Please do not install other similar lamp model or this action may lead to safety issues and damage to the fixture. We do not take any responsibility if you use other lamp model. We strongly suggested to use the original lamp model.

● For lower the risk of damage the fixture, please change the lamp before it exceed its lifespan.

● It is forbidden to use the lamp if it is damaged or scratched.

● Please check if the lamp is in right position and aim at the hole before install it into the lamp slot holder.

Installation instruction& requirement

The user need to make regularly inspect the safety fixtures and installing parts, if there is lack of operating conditions and professional standards, please operate it by professional person, to avoid to incorrect installation by non-professional person leading to property loss or life danger.

Make sure there is no damage to rigging and clamps and they can bear at least 10 times weight of the fixture. Check if the truss or pipe construction can bear at least 10 times total weight of all equipment, clamps, cables and accessories.

G-clamp Instalaaion

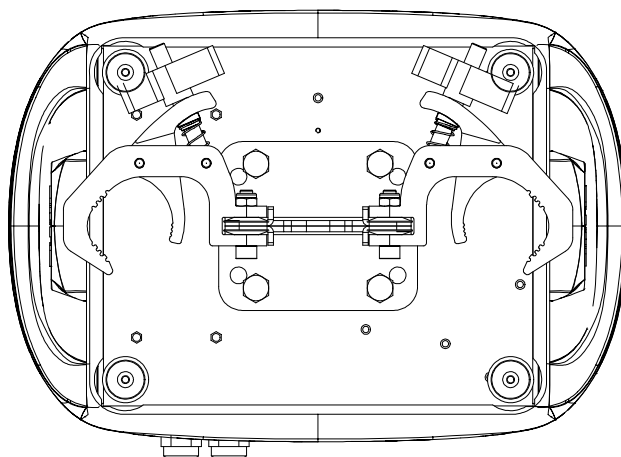
- The G-clamp is integrated with the fixture (pic 8).

Fixture installation

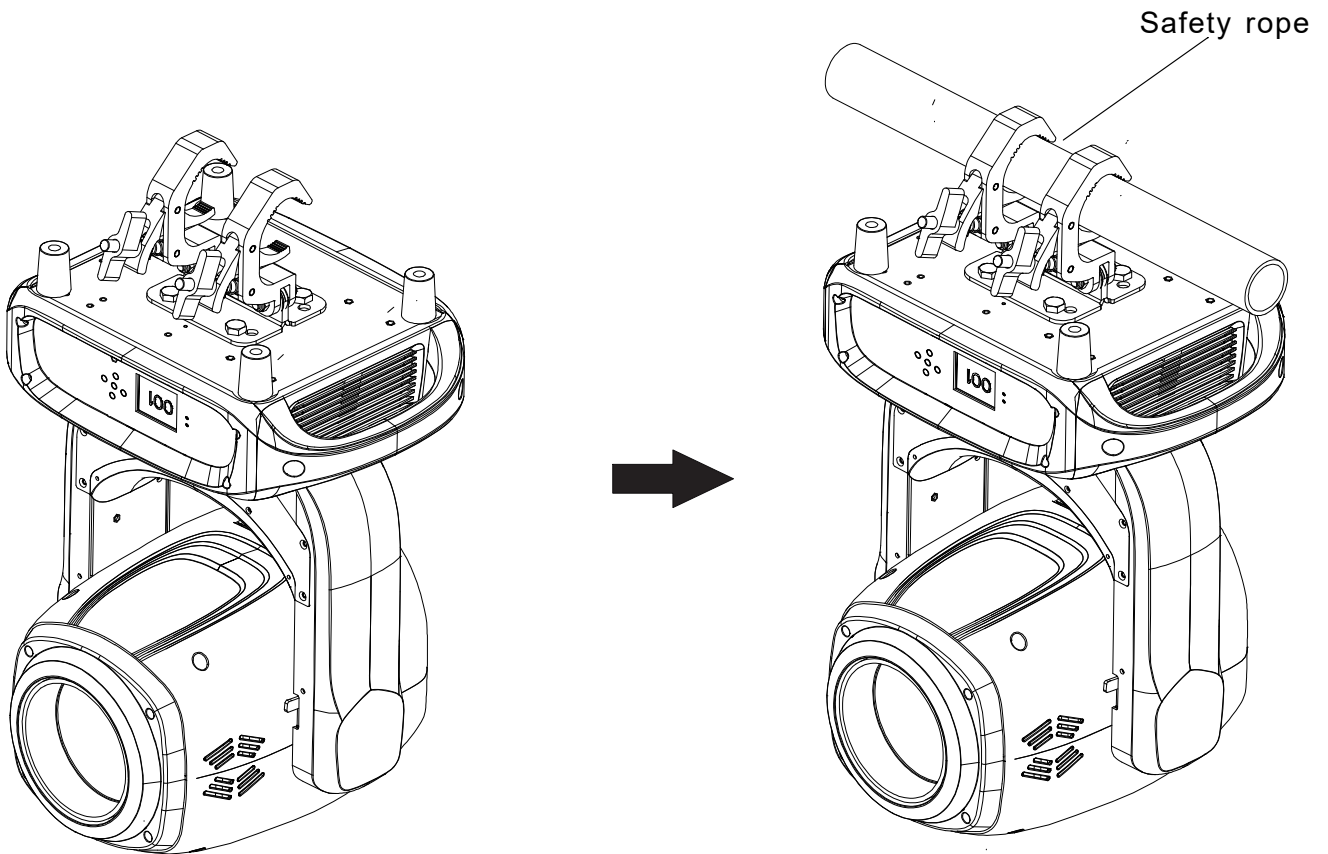
Fixture is installed on the stage or truss, and the G-clamp can be locked on the truss tightly. (Pic9)

Notice:

- User must check the G-clamp and safety chain are damaged or not.
- The fixture must be fixed by two G-clamps, clockwise rotate them to fast-lock tightly, and add a safety rope onto the hole that designed for the safety rope in the base of the fixture, it is prohibited to connect it to the handle.
- Please unlock the lock of pan/tilt before power on.
- Side hanging for long time is not recommended.



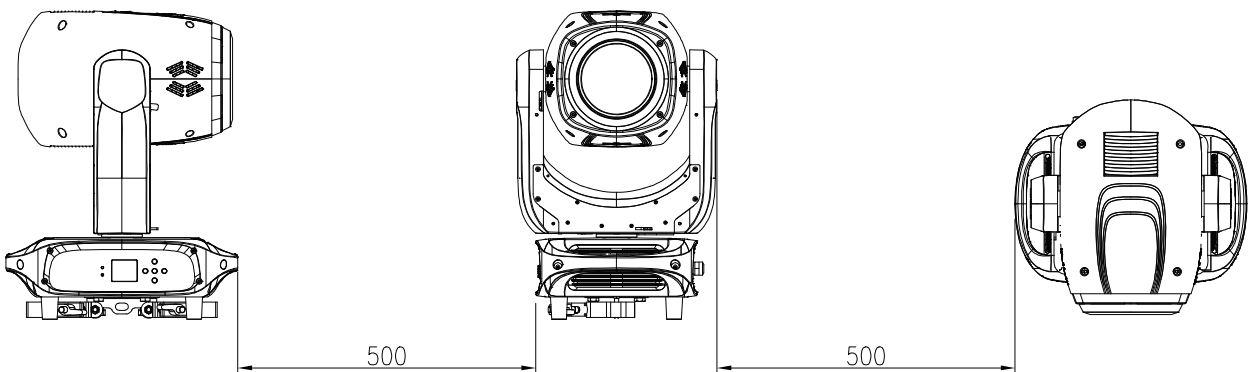
Pic8



Pic9

Fixture Placement

When place the fixture, please check there is no inflammable object or inflammable material around the fixture. Then place the fixture vertically upward. The shortest safety distance for adjacent fixtures is ≥ 0.5 m when they are working. Fixtures installation show as follow(pic 9).

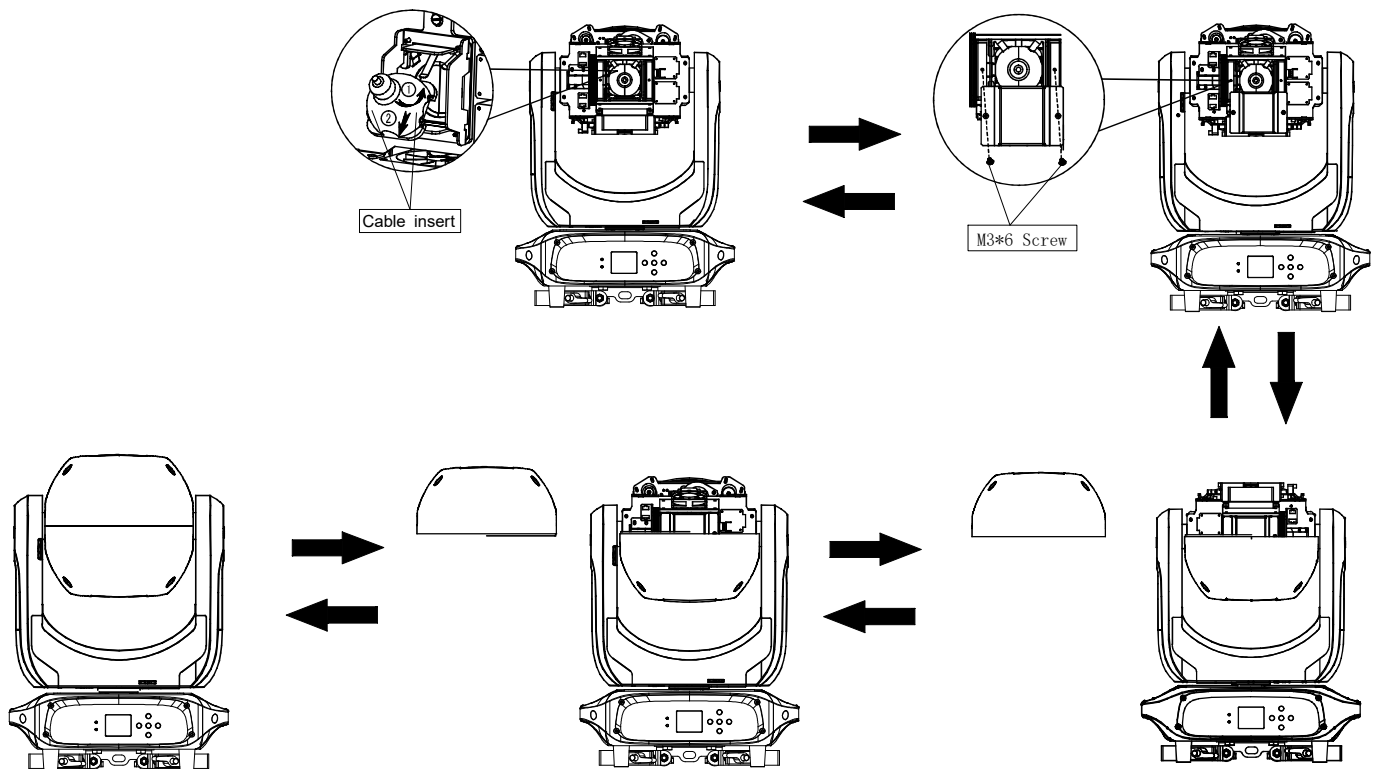


Lamp Installation

- Light source: PHILIPS MSD Silver 380W LL

Replace the lamp

- When the lamp is on, please turn off the lamp, wait for the lamp is cooled sufficiently (usually 15 minutes) then cut off the electricity, and lock the tilt lock of the arm on pan position (Pic 11).
- When installing the lamp, please lock the fixture with tilt 135°, and avoid the internal wall of lamp touch the metal plate, gently place the lamp into the lamp slot holder with angle 15°, hold the lamp tight, push it in and give some pressure on the elastic pad, check if the angles of lamp are locked well. The installation of lamp is completed if it is locked well, otherwise it is not. Lock the fixture with tilt 135°, 45° then install the housing (Pic 11).
- When dismantle the lamp, lock the fixture with tilt 135°, 45° then dismantle the housing first, and then take out the fan, unscrew the screws for fixing the lamp, hold the lamp tight and give some pressure on the elastic pad, and wait till the other two angles of lamp are out then take out the lamp with angle of 15°. Please pay attention and avoid the clip touch the internal wall of lamp (Pic 11).



Pic11

DMX Channel Sheet (Brief)

Channel	18CH	24CH	16CH
1	Pan	Pan	Color Wheel
2	Pan Fine	Pan Fine	Strobe
3	Tilt	Tilt	Dimmer
4	Tilt Fine	Tilt Fine	Static Gobo Wheel
5	Strobe	Strobe	Prism 1
6	Dimmer	Dimmer	Prism 2
7	Dimmer Fine	Dimmer Fine	Prism.R
8	Focus	Focus	Focus
9	Color Wheel	Focus Fine	Frost
10	Static Gobo Wheel	Color Wheel	Pan
11	Prism 1	Static Gobo Wheel	Pan Fine
12	Prism 2	Prism 1	Tilt
13	Prism.R	Prism 2	Tilt Fine
14	Seven-color	Prism.R	Seven-color
15	Macro	Prism.R Fine	Reset
16	Frost	Seven-color	Fixture Control
17	Reset	Macro	-
18	Fixture control	Frost	-
19	-	Reset	-
20	-	Fixture control	-
21	-	Pan-Tilt Speed	-
22	-	Color Speed	-
23	-	Focusing Speed	-
24	-	Gobo Speed	-


DMX Specific Channel Sheet

18CH	24CH	16CH	Specifications	DMX Value	Function
1	1	10	Pan	0-255	0° ->540°
2	2	11	Pan Fine		
3	3	12	Tilt	0-255	0° ->270°
4	4	13	Tilt Fine		
5	5	3	Strobe	0-19	Off
				20-49	On
				50-200	Strobe slow->fast
				201-210	On
				211-255	Random Strobe, slow->fast
6	6	4	Dimmer	0-255	0%->100% Off->On
7	7	-	Dimmer Fine		
8	8	8	Focus	0-255	Far->near
-	9	9	Focus Fine		
9	10	1	Color Wheel	0-127	0%->100%
				128-190	Clockwise fast->slow
				191-192	Stop
				193-255	Anticlockwise slow->fast
10	11	4	Static Gobo Wheel	0-3	Open
				4-7	Gobo 1
				8-11	Gobo 2
				12-15	Gobo 3
				16-18	Gobo 4
				19-22	Gobo 5
				23-26	Gobo 6
				27-30	Gobo 7
				31-34	Gobo 8
				35-37	Gobo 9
				38-41	Gobo 10
				42-45	Gobo 11
				46-49	Gobo 12
				50-53	Gobo 13
				54-71	Null
				72-113	Anticlockwise water slow->fast
				114-117	Stop
				118-160	Clockwise water fast->slow
				161-165	Gobo 1 shake slow->fast
				166-170	Gobo 2 shake slow->fast
171-175	Gobo 3 shake slow->fast				

				176-180	Gobo 4 shake slow→fast
				181-186	Gobo 5 shake slow→fast
				187-191	Gobo 6 shake slow→fast
				192-197	Gobo 7 shake slow→fast
				198-202	Gobo 8 shake slow→fast
				203-207	Gobo 9 shake slow→fast
				208-213	Gobo 10 shake slow→fast
				214-218	Gobo 11 shake slow→fast
				219-223	Gobo 12 shake slow→fast
				224-229	Gobo 13 shake slow→fast
				230-255	Gobo 14 shake slow→fast
11	12	5	Prism 1	0-10	Open
				11-127	Prism 1 insert
				128-255	Prism 1 rotate
12	13	6	Prism 2	0-10	Open
				11-127	Prism 2 insert
				128-255	Prism 2 rotate
13	14	7	Prism.R	0-127	0-360° linear rotate
				128-190	Rotate fast→slow
				191-192	Stop
				193-255	Rotate slow→fast
-	15	-	Prism.R Fine		
14	16	14	Seven-color	0-127	Null
				128-255	Seven-color insert
15	17	-	Macro	0-255	Macro effect
16	18	9	Frost	0-127	Null
				128-255	Frost insert
17	19	15	Reset	0-25	Null
				26-76	Specifications reset
				77-127	Pan-Tilt reset
				128-255	Whole fixture reset
18	20	16	Fixture control	0-25	Null
				26-128	Turn off the lamp
				129-178	Null
				179-255	Turn on the lamp
-	21		Pan-Tilt speed	0-255	Stepping time fast→slow
-	22		Color speed	0-255	Stepping time fast→slow
-	23		Focusing speed	0-255	Stepping time fast→slow
-	24		Gobo speed	0-255	Stepping time fast→slow

Maintenance & cleaning of the fixture

The fixture needs to be maintained and cleaned daily, because its lifespan depends on working environment and daily maintenance. Please contact our company engineer for any questions and feedback which are out of this user manual to our professional engineer.

Notes as bellow: 

- The power supply must be cut off before open the shell.
- Please open the shell after the fixture cooled completely
- Cleaning the optics components gently to avoid scratching the surface coating, To avoid damaging plastic and scratching the surface coating, Please don't use any harmful liquid or hard objects.
- Wiping the particulate Matter with tasteless tissue-paper or cotton cloth with clean, distilled water. Don't wipe the surface, but blow away floating things with pressure gas, any residues must be cleaned with distilled water from center to edge, and then dry it with soft cotton cloth.
- Please change the lens in time when it cracks or has other damages
- It is out of warranty any damage caused by fan with overmuch dust, smoke fluidity and abnormal using fixture.
- There is temperature protection device of the fixture, when the temperature is too high the LED module will be off automatically. When this happens, please check if the fan is working well or not. Plus, checking if the fan filter is blocked by dust. Please only reset the fixture after the qualified professional technicians finish troubleshooting.
- Weekly cleaning and maintenance for the fan filters and lens is recommended. Please do a complete maintenance half a year.

Troubleshooting

The following are some problems in process of operation, and there are some suggestions for troubleshooting:

Fixture doesn't response, when power on

- Check if power input is normal. **channel failure:**
- Check if power switch is on. ● Step motor or motor leading wire Maybe damaged.
- Check if fuse is burned. ● Drive circuit of motor may be damaged.

Lamp blinking:

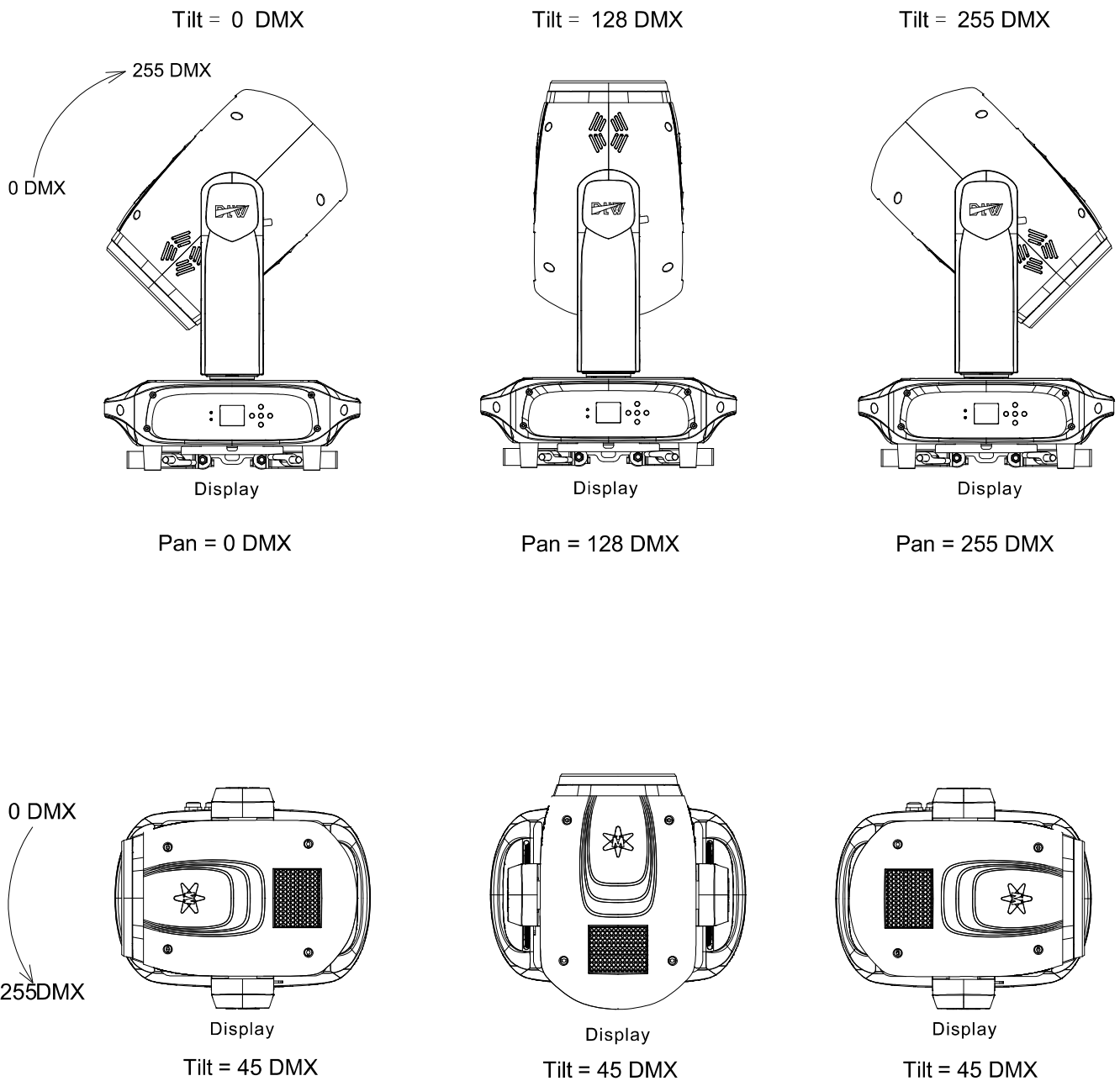
- Check if the voltage is too high or too low, when the lamp is abnormal lighting.
- It is necessary to change the fan if the inner temperature is too high.

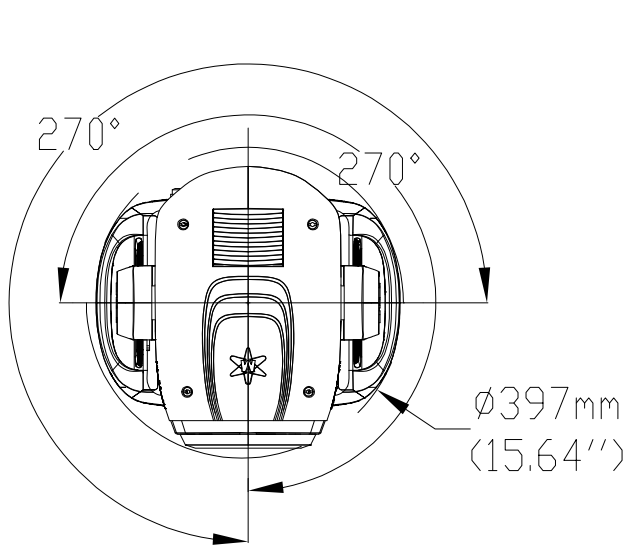
Console losing control:

- Check if the display is flicker, if yes, check if DMX signal connector and signal cable are connected well.
- If the display is not flickering, but the fixture is still have no response to the control channel instructions, please check if IP address is correctly set.
- If DMX signal is not stable, please check XLR socket and signal cable are connected well.
- Change another console for testing.

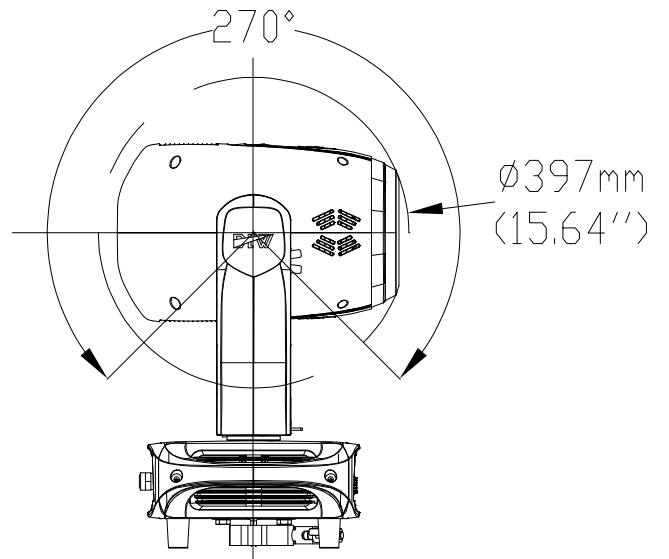
Attachment 1 Angle range and the measurement figure of the fixture

● **Angle range of the fixture**



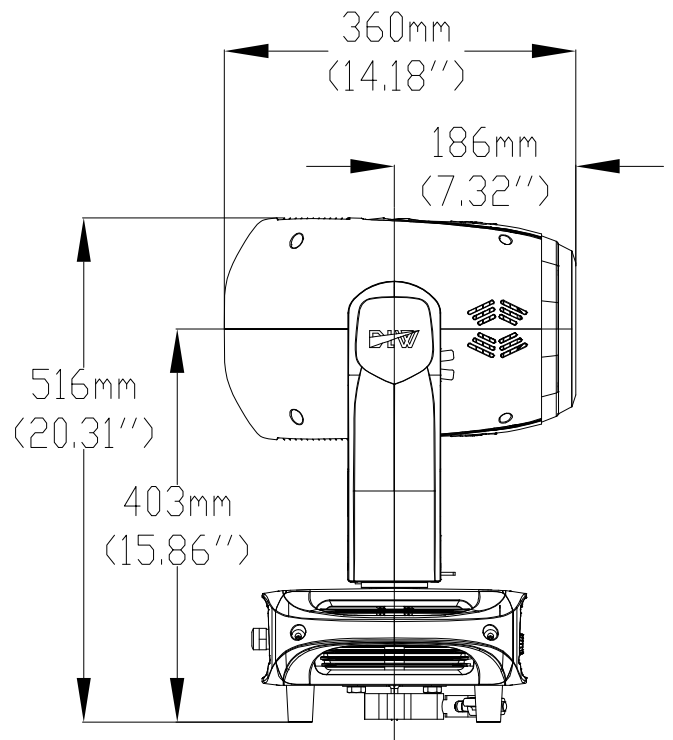
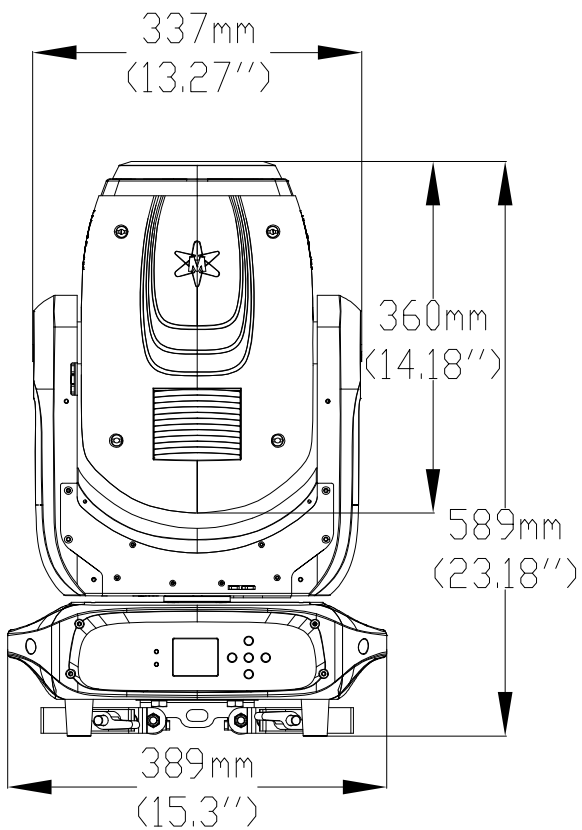


Horizontal direction

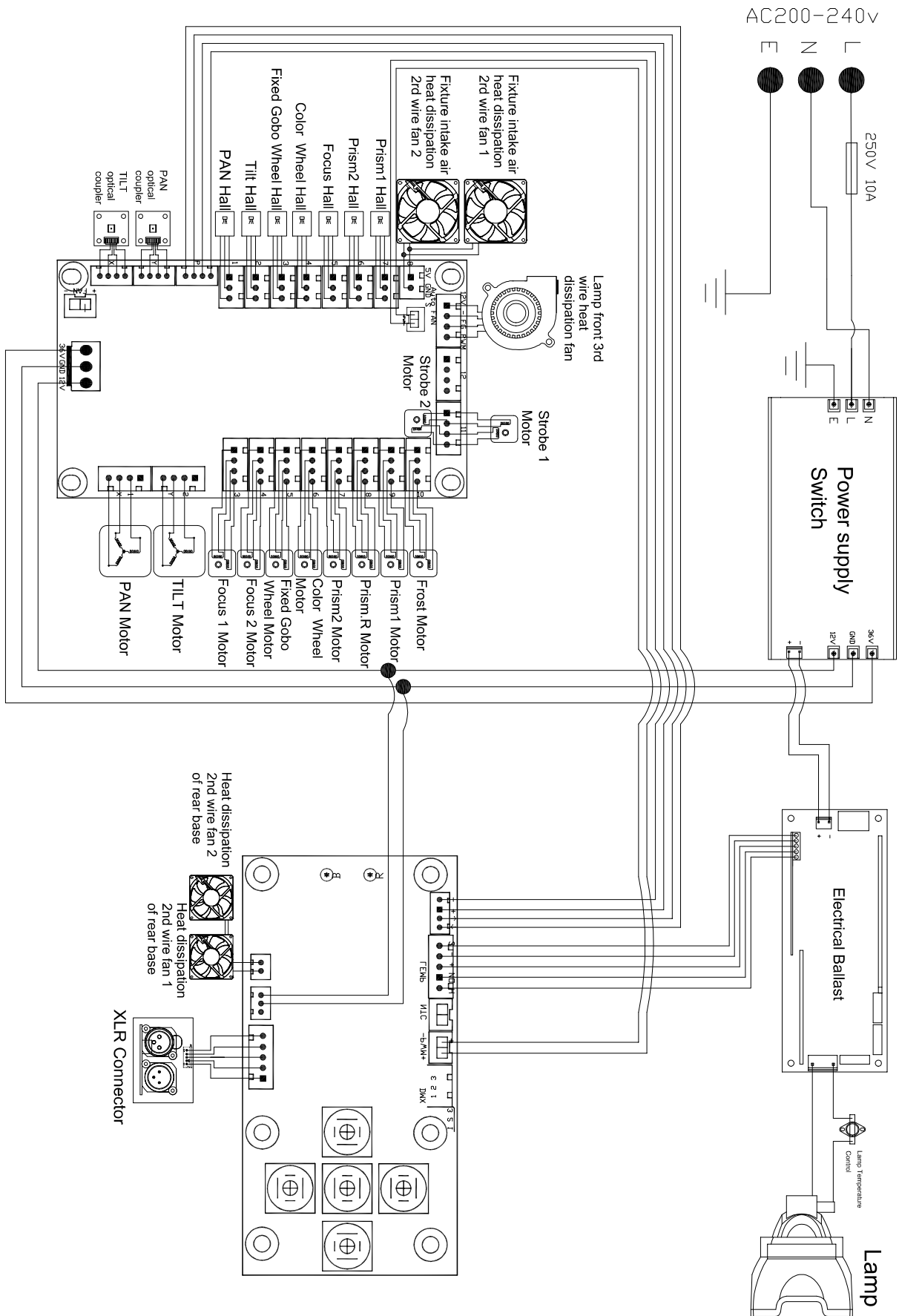


Vertical direction

● **The measurement figure of the fixture**



Attachment 2: Electrical Diagram





DREAMLIGHT



Guangzhou Dream Lighting Equipment Co., LTD

Add.No.21,Ruixiang Road, Xinhua Industrial Zone,
Huadu District, Guangzhou

Tel.020 8161 2345 Fax. 020 3686 6631

www.dlw-lighting.com